

STUDY LINK
3•4

Angle Measures



Find the approximate measure of each angle at the right.

1. measure of $\angle CAT =$ _____

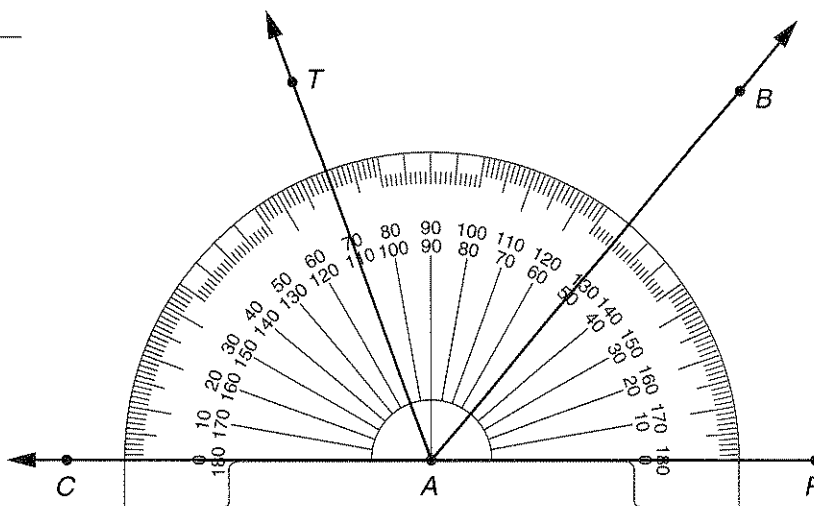
2. $m\angle BAR =$ _____

3. $m\angle RAT =$ _____

4. $m\angle CAB =$ _____

5. $m\angle BAT =$ _____

6. $m\angle CAR =$ _____



Find the approximate measure of each angle at the right.

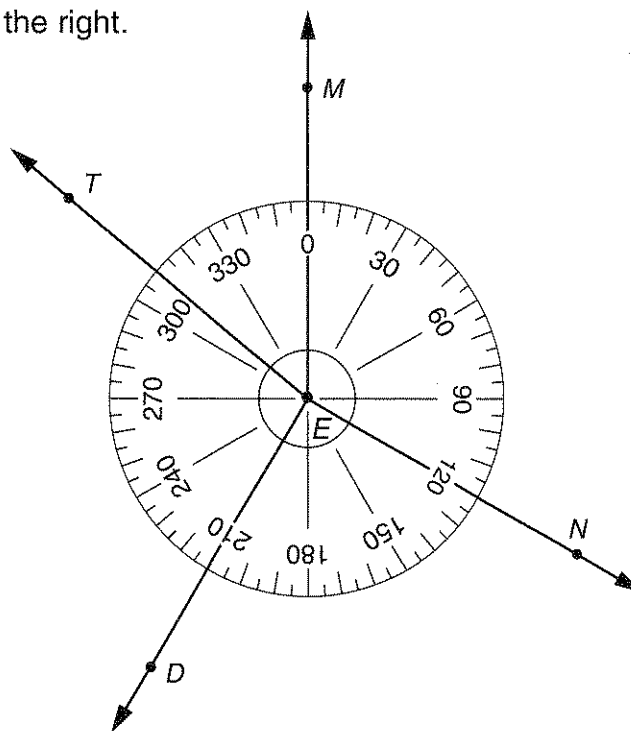
7. $m\angle MEN =$ _____

8. $m\angle DEN =$ _____

9. $m\angle MET =$ _____

10. $m\angle MED =$ _____

11. $m\angle TEN =$ _____



Practice



12.
$$\begin{array}{r} 5,844 \\ + 2,399 \\ \hline \end{array}$$

13.
$$\begin{array}{r} 238 \\ - 129 \\ \hline \end{array}$$

14.
$$\begin{array}{r} 234 \\ * 22 \\ \hline \end{array}$$

15. $60 \div 5 =$ _____

16. $50 \div 6 \rightarrow$ _____